

SIMPO Cabinets are pre-wired and easy to connect. Designed to maximize the power of your system. Easily paralleled to expand the power of your system.



Cabinets Paralleled



Maximize Power



Pre-wired



Easy Connection



SIMPO Cabinet 6



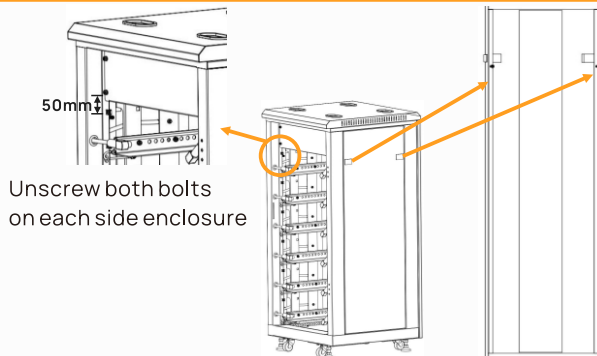
SIMPO Cabinet 10

Specifications of SIMPO Cabinets

| | SIMPO Cabinet 6 | SIMPO Cabinet 10 |
|----------------------------------|--|-------------------------------|
| General Data | | |
| Dimension (W x D x H) | 620 x 600 x 1270mm | 620 x 600 x 1890mm |
| Fixation | 4 wheels for easy moving and 4 feet for load-bearing | |
| Max. Qty of modules | 6 (30kWh) | 10 (50kWh) |
| Max. continuous current (busbar) | 600A (with M10 nut bolting) | 1000A (with M12 nut, bolting) |
| Battery Interconnection | Pre-wired quick connector with 4AWGUL cable | |
| DC circuit breaker | None | |
| Cable entry | Top entry | |
| IP rating | IP 20 | IP 20 |
| Weight | 90kg | 120kg |

SIMPO Cabinet 6

Unscrew the bolts

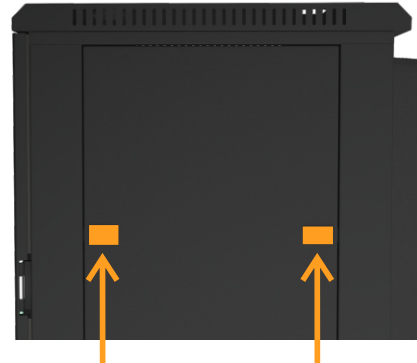


Unscrew both bolts on each side enclosure

Unscrew the bolts on both sides inside Cabinet 6 (50mm under the covering board)

1

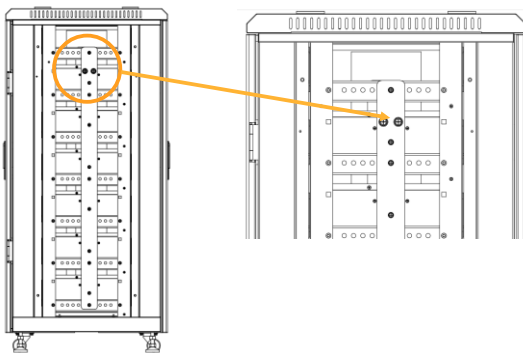
Remove the enclosures



Hold down the two buttons on the side enclosure and remove the enclosure.

2

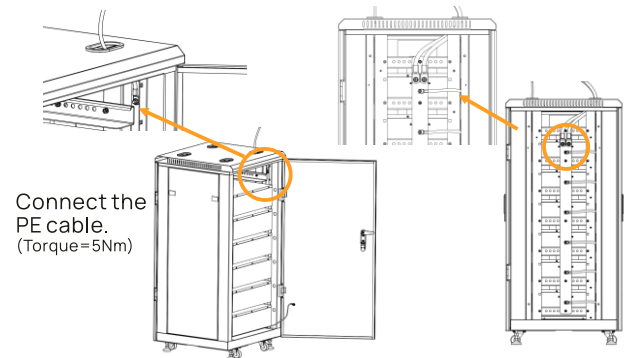
Find the DC busbars



Find the DC busbars on both sides of the Cabinet after removing the side enclosures.

3

Wire the busbars



Connect the PE cable. (Torque=5Nm)

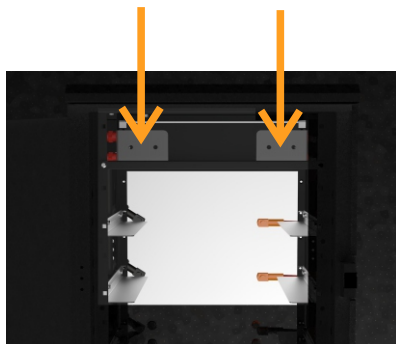
Wire the busbars through the covers on the top of the cabinet and tighten the screws. (Torque=15Nm)

***Select appropriate cables according to the power.**

4

SIMPO Cabinet 10

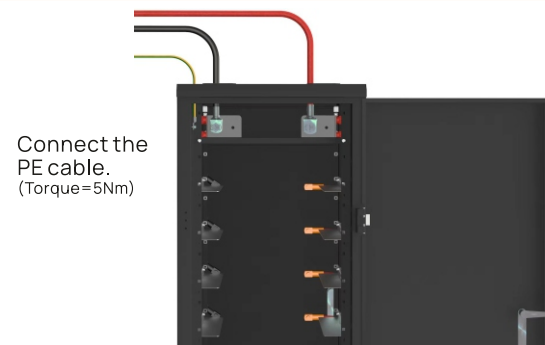
Find the DC busbars



Unscrew and remove the covering board (On top inside the cabinet) and find the two DC busbars.

1

Wire the busbars



Connect the PE cable. (Torque=5Nm)

Wire the busbars through the covers on the top of the cabinet and tighten the screws. (Torque=20Nm)

***Select appropriate cables according to the power.**

2